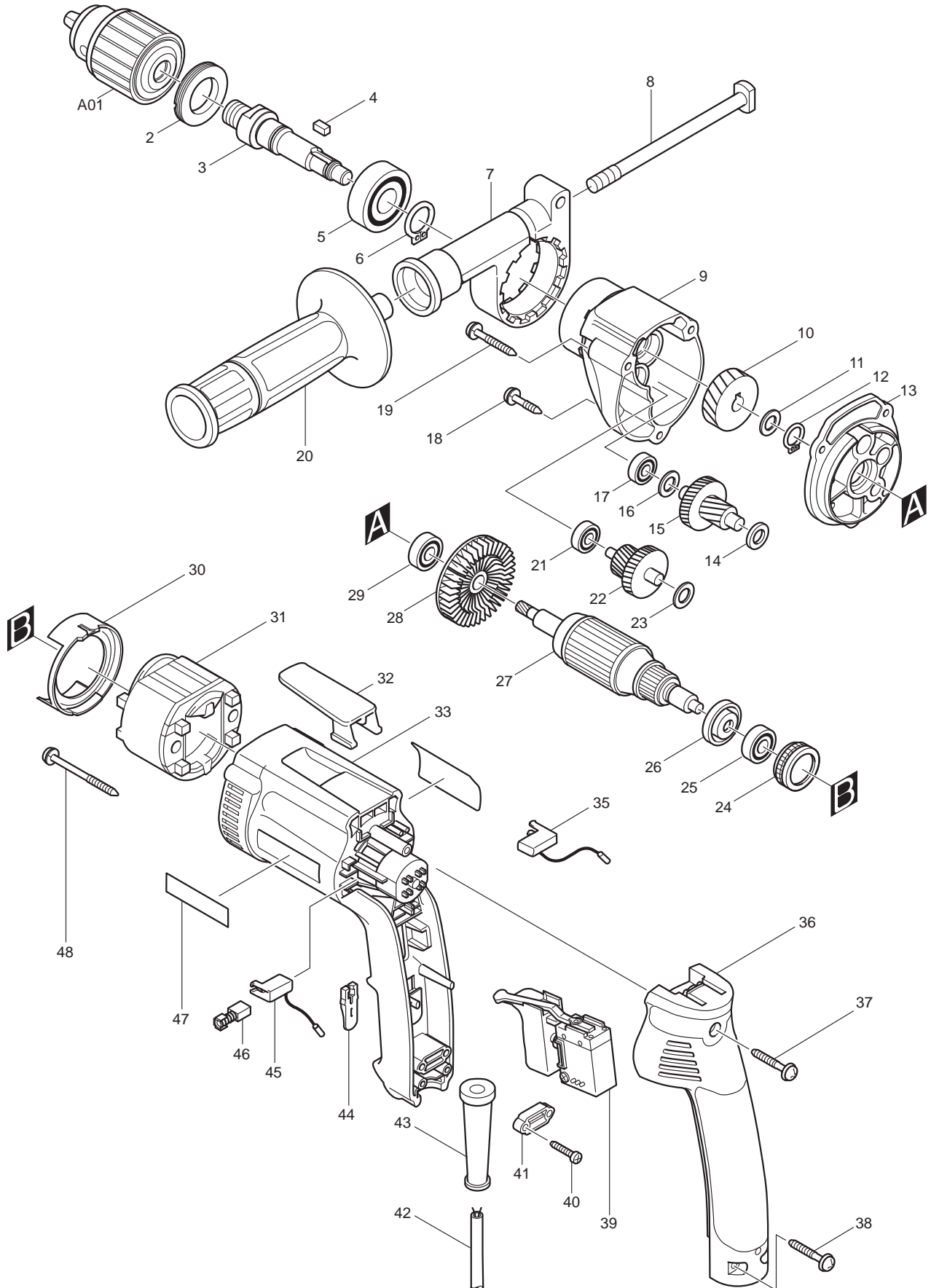




03 - 2010
DP4002
1/2" DRILL 0-600RPM



Item No	Type	Sub	Part No	Description	Qty	Unit
002			285807-7	BEARING RETAINER 22-36	1	PC.
003			324039-2	SPINDLE	1	PC.
004			254202-2	KEY 4	1	PC.
005			211206-7	BALL BEARING 6202LLB	1	PC.
006			961055-9	RETAINING RING S-15	1	PC.
007	2		317401-8	GRIP BASE	1	PC.
008	2		266265-6	* BOLT M8X195	1	PC.
009			317397-3	GEAR HOUSING	1	PC.
010			226529-0	HELICAL GEAR 26	1	PC.
011			267143-3	FLAT WASHER 11	1	PC.
012			961051-7	RETAINING RING S-11	1	PC.
013			152639-6	GEAR HOUSING COVER COMPLETE	1	PC.
		INC.	212004-2	NEEDLE BEARING 810	1	PC.
		INC.	212016-5	NEEDLE BEARING 609	2	PC.
014			253804-1	FLAT WASHER 6	1	PC.
015			226138-5	GEAR COMPLETE 7-36	1	PC.
016			253133-2	FLAT WASHER 7	1	PC.
017			211021-9	BALL BEARING 607LLB	1	PC.
018			266050-7	TAPPING SCREW 4X30	1	PC.
019			266069-6	TAPPING SCREW M4X45	2	PC.
020	2		152668-9	* GRIP 36 COMPLETE	1	PC.
021			211012-0	BALL BEARING 606ZZ	1	PC.
022			226139-3	GEAR COMPLETE 16-34	1	PC.
023			253804-1	FLAT WASHER 6	1	PC.
024			421479-6	RUBBER RING 19	1	PC.
025			211021-9	BALL BEARING 607LLB	1	PC.
026			681636-0	INSULATION WASHER	1	PC.
027			517356-9	ARMATURE ASS'Y 115V	1	PC.
		INC.		Item No. 25,26,28,29		
028			241873-4	FAN 55	1	PC.
029			211031-6	BALL BEARING 608LLB	1	PC.
030			417356-8	BAFFLE PLATE	1	PC.
031			633466-5	FIELD 115V	1	PC.
032	2		417625-7	HOOK	1	PC.
033			183270-7	MOTOR HOUSING SET	1	SET
		INC.		Item No. 47		
034			852538-9	NAME PLATE DP4002	1	PC.
035			643951-0	BRUSH HOLDER	1	PC.
036			152641-9	HANDLE COVER COMPLETE	1	PC.
		INC.	263002-9	RUBBER PIN 4	2	PC.
037			265999-8	TAPPING SCREW 4X25	1	PC.
038			265999-8	TAPPING SCREW 4X25	2	PC.
039			651991-4	SWITCH C3MA-2L-L	1	PC.
040			265995-6	TAPPING SCREW 4X18	2	PC.
041			687063-9	CORD CLAMP (STRAIN RELIEF)	1	PC.
042			664064-4	CORD W/PLUG 2P-18-2.5M, SJ	1	PC.
043			682559-5	CORD GUARD 8	1	PC.
044			417358-4	SLIDE LEVER	1	PC.
045			643948-9	BRUSH HOLDER	1	PC.
046	2		195007-0	CARBON BRUSH CB-407 2PC/SET, W/O ORIGIN	1	SET
047			819063-3	MAKITA LABEL	1	PC.
048			266060-4	TAPPING SCREW 4X65	2	PC.
049			442134-7	GASKET (Added)	1	PC.
050			410102-8	KEY HOLDER (DP4002)	1	PC.
E02-1			892672-3	CAUTION LABEL	1	PC.

Item No	Type	Sub	Part No	Description	Qty	Unit
<u>ACCESSORIES</u>						
A01			193229-6	1/2" DRILL CHUCK S13 (DP4002)	1	PC.
A02			763434-5	CHUCK KEY 10	1	PC.
		INC.		Item No. 78,20		
A03	2		134910-0	* GRIP 36 ASS'Y	1	PC.
A04			824595-7	PLASTIC CARRYING CASE	1	PC.
		INC.	417059-4	LATCH	2	PC.
A05			321059-7	DEPTH GAUGE	1	PC.

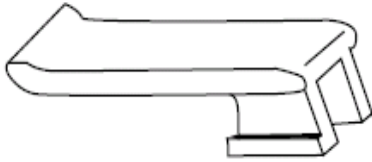
SERVICE CHANGES

1. Changes on Hook

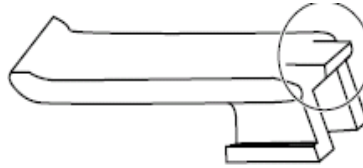
Item No.	Description	Type 1	Type 2
32	HOOK	416996-9	417625-7

Above parts are completely interchangeable as a set.

Type1



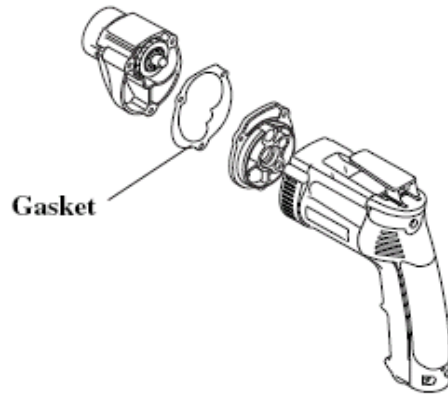
Type2



2. Addition of Gasket

Item No.	Description	Type 1	Type 2
49	Gasket	-----	442134-7

Above parts are completely interchangeable as a set.

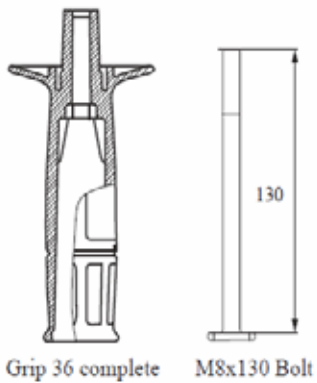


3. Changes on Grip 36 complete

Item No.	Description	Type 1	Type 2
A03	Grip 36 ass'y	134903-7	134910-0
20	Grip 36 complete	152521-9	152668-9
8	Bolt M8x130 > Bolt M8x195	266261-4	266265-6

No. 8 & 20 are completely interchangeable as a set

Type 1



Type 2

